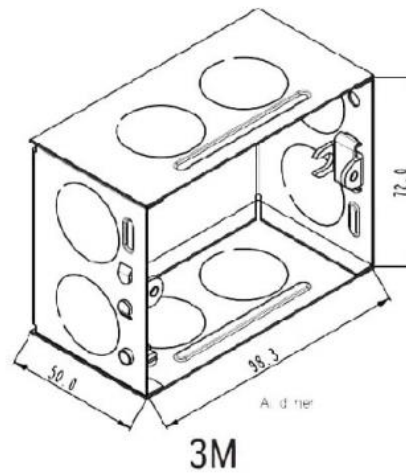
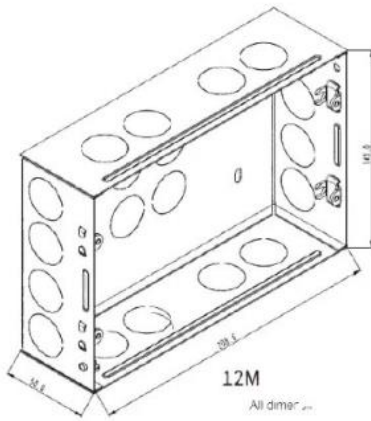
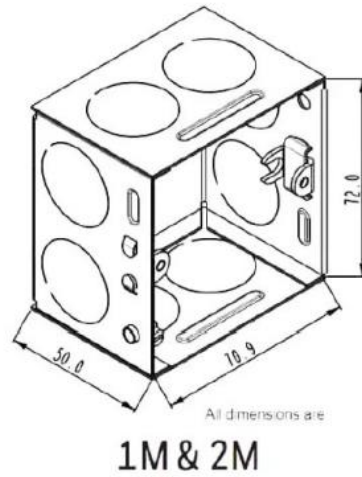
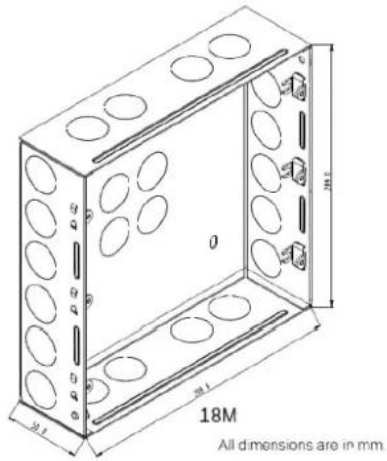




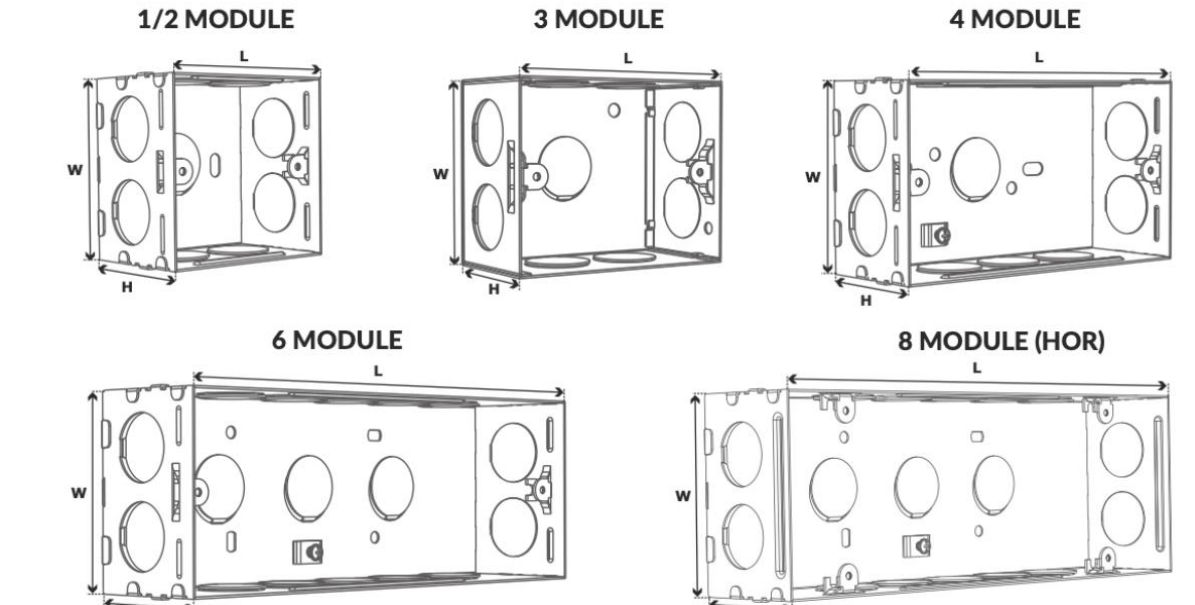
GALVANISED STEEL CONCEALED BOX

ITEM	SIZE (L X W X H) (MM)	WALL THICKNESS (MM)	COATING (g/ m ²)	PRICE (INR)
1-2 MODULE	75.3 x 75.3 x 52	1.0MM	81	70
3 MODULE	97 X 75.3 X 52	1.0MM	81	88
4 MODULE	136 X 75.3 X 52	1.0MM	81	110
6 MODULE	210 X 75.3 X 52	1.0MM	81	144
8 MODULE (H)	230 X 75.3 X 52	1.0MM	81	175
8 MODULE (V)	132 X 132 X 58	1.0MM	81	201
12 MODULE	210 X 132 X 58	1.0MM	81	228



ITEM	SIZE (L X W X H) (MM)	WALL THICKNESS (MM)	COATING (g/m ²)	PRICE (INR)
1-2 MODULE	75.3 x 75.3 x 52	1.2MM	81	88
3 MODULE	97 X 75.3 X 52	1.2MM	81	98
4 MODULE	136 X 75.3 X 52	1.2MM	81	120
6 MODULE	210 X 75.3 X 52	1.2MM	81	168
8 MODULE (H)	230 X 75.3 X 52	1.2MM	81	208
8 MODULE (V)	132 X 132 X 58	1.2MM	81	232
12 MODULE	210 X 132 X 58	1.2MM	81	260

GI CONCEALED METAL BOXES



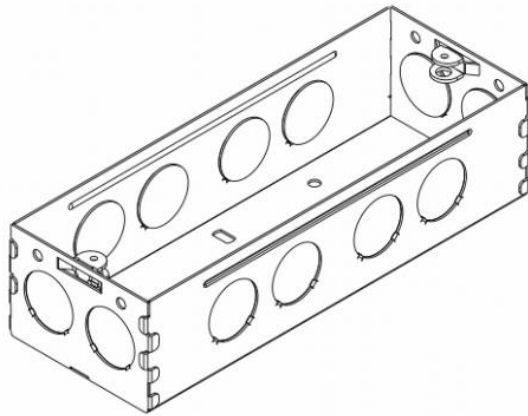
NOTE : ♦ Knockouts suitable for 25mm OD conduit pipes

♦ Material of Construction : 80-120GSM Pre-Coated GI Sheet

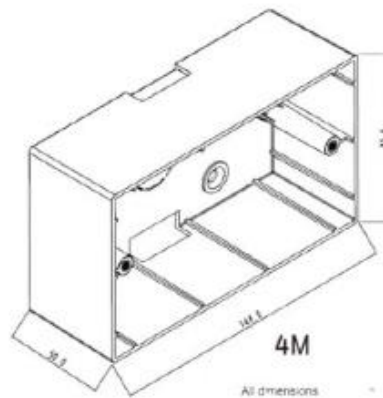
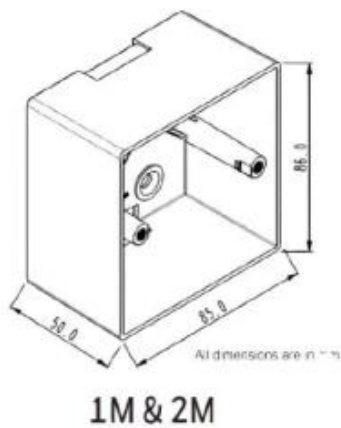
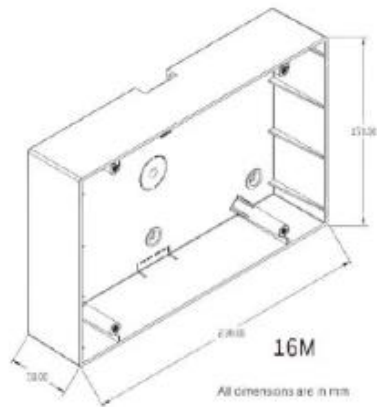
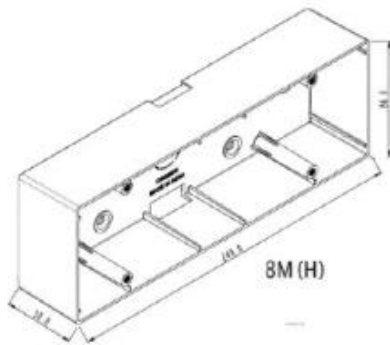
♦ Galvanised Steel Sheet fully conforms to IS 277:2018

Exceptional Features





RAMA GI MODULER BOX



RAMA - CONDUIT PIPE FITTINGS & ACCESSORIES / PVC GITTI / PVC NAIL CLIP / GI SADDLE CLAMP / BENDING SPRING / FAN BOX / CONCEALED BOX / FLEXIBLE PIPE COUPLING /

NOTES